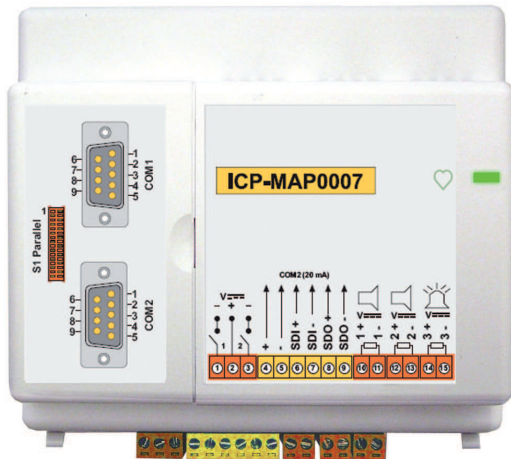


ICP-MAP0007-2 MAP Interface module, DE

Modular Alarm Platform 5000



This module is an interface module for communicator, printer and siren connections.

Functions

S1 Parallel Interface

The module provides seven dedicated outputs and two dedicated inputs on the parallel interface for communicators and relay modules

RS-232 and 20mA Interfaces

The module provides two RS-232 and one 20mA COM port for communicators and printers

- COM1: Communicator
- COM2: Printer

Outputs

The module provides three polarity-reversing supervised (EOL 12.1 K Ω) outputs and two open-collector outputs.

Firmware Upgrades

The firmware of all devices in the MAP5000 system can be upgraded or updated with the Bosch Remote Programming Software (RPS for MAP). This allows for on-site or off-site (IP through Ethernet) upgrades or updates.

Regulatory information

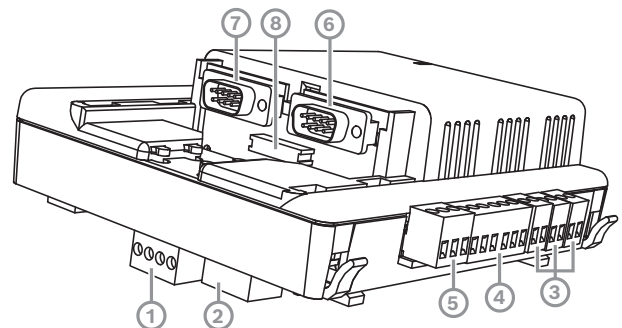
Region	Regulatory compliance/quality marks	
Europe	CE	
	EN-ST	EN-ST-000296 MAP 5000
Germany	VdS	G111040 VdS 2252, Class C

- ▶ Supports GSM communicator connectivity
- ▶ Supports printer connectivity
- ▶ Supports VDS communicator via serial (S1S) and parallel (S1P) interfaces
- ▶ Provides three supervised outputs for sirens, strobes, and other devices
- ▶ Provides two open-collector outputs

Region	Regulatory compliance/quality marks	
	VdS-S	S 112016

Installation/configuration notes

Terminals and Connectors



1. Bosch Data Bus
2. Bosch Data Bus
3. Outputs (supervised)
4. COM2 20mA interface
5. Outputs (open-collector)
6. COM2 RS232 interface
7. COM1 RS232 interface
8. S1 Parallel interface (Ribbon Cable Connector)

Compatibility Information**Control Panel**

- MAP5000

Interfaces

- COM1
 - ITS-MAP0008 (GSM Communicator)
 - External Communicator (ATx000)
- COM2
 - DR2020T Printer (20mA interface / max 1km)
 - Star Micronics SP512/712 serial printer (RS232 / max 3m)
 - Terminal Emulation (RS232 / max 3m)
- S1-Parallel (S1-P)
 - ICP-COM-IF2 Relay Module
 - External communicator (ATx000)

Parts included

Quantity	Component
1	ICP-MAP0007-2 Module for Germany (MAP5000 DE Module)
1	Accessory pack <ul style="list-style-type: none"> • Three 12.1 kΩ EOL resistors • Two 4-pin terminal plugs (green) • Three 2-pin terminal plugs (orange) • One 3-pin terminal plug (orange) • One 6-pin terminal plug (yellow)
1	Installation Guide

Technical specifications**Electrical**

Operating voltage (VDC)	16 VDC – 29 VDC
Rated voltage (VDC)	28 VDC
Current consumption (mA)	100 mA – 150 mA
Outputs	<ul style="list-style-type: none"> • open-collector (OC) 0.5 A / 28 VDC (total) • supervised output 1 A / 28 VDC

Mechanical

Dimensions (H x W x D) (cm)	14.6 cm x 15.9 cm x 7.6 cm
Weight (g)	440 g
Indicator	Green LED for device status

Number of outputs

Open-collector (OC)	2
Supervised (reverse polarity)	3

Environmental

Operating temperature (°C)	-10 °C – 55 °C
Storage temperature (°C)	-20 °C – 60 °C
Operating relative humidity, non-condensing (%)	5% – 95%
Protection class	IP30 IP31 (built into the MAP5000 Panel Enclosure with an edge protection profile)
Security level	IK04 IK06 (built into the MAP5000 Panel Enclosure with an edge protection profile)
Environmental class	II: EN50130-5, VdS 2110
Usage	Indoor

Ordering information**ICP-MAP0007-2 MAP Interface module, DE**

Interface module for communicator, printer and siren connections.

Order number **ICP-MAP0007-2** | **F.01U.245.559**
F.01U.423.994

Accessories**ICP-MAP0140 MAP Print cable**

3 m cable with 8-conductor for connecting the MAP5000 DE Module to a DR2020T printer.

Order number **ICP-MAP0140** | **F.01U.074.766**

ICP-COM-IF2 MAP Relay module

Relay module for MAP.

Order number **ICP-COM-IF2** | **F.01U.389.310**
F.01U.424.184

ICP-MAP0154 MAP Ribbon cable

Connects the MAP5000 DE Module with an external communicator, for example the ICP-COM-IF2 Relay module.

Order number **ICP-MAP0154** | **F.01U.074.773**

ICP-MAP0152 MAP Serial cable for AT2000

Connection between the MAP5000 DE Module and a transmission unit or the GPRS modem (ITS-MAP0008).

Order number **ICP-MAP0152** | **F.01U.074.772**

MAP 12V fuse protected power distributor

PCB distribution box

Order number **3902102156** | **3.902.102.156**

Represented by:

Europe, Middle East, Africa:
Bosch Security Systems B.V.
P.O. Box 80002
5600 JB Eindhoven, The Netherlands
www.boschsecurity.com/xc/en/contact/
www.boschsecurity.com

Germany:
Bosch Sicherheitssysteme GmbH
Robert-Bosch-Platz 1
D-70839 Gerlingen
www.boschsecurity.com

North America:
Bosch Security Systems, LLC
130 Perinton Parkway
Fairport, New York, 14450, USA
www.boschsecurity.com

Asia-Pacific:
Robert Bosch (SEA) Pte Ltd, Security Systems
11 Bishan Street 21
Singapore 573943
www.boschsecurity.com/xc/en/contact/
www.boschsecurity.com