

# LBC3484/00 Horn loudspeaker, 50W

www.boschsecurity.com



**BOSCH**  
Invented for life



- ▶ High efficiency driver
- ▶ Excellent speech reproduction
- ▶ Provision for inside mounting of the optional line/loudspeaker supervision board
- ▶ Water-and dust protected to IP 65
- ▶ BS 5839-8 and EN 60849 compliant

Bosch high-efficiency horn loudspeakers provide excellent speech reproduction and sound distribution for a wide scope of outdoor applications. They are ideal for sports grounds, parks, exhibitions, factories and swimming pools.

The LBC 3484/00 is a circular 50 W horn loudspeaker, measuring 490 mm (19.6 in) in diameter. It is made from aluminum. The edges of the horn are covered with a PVC profile for protection against impact damage. It is light gray (RAL 7035), and is water and dust protected.

### Voice alarm loudspeaker

The LBC 3484/00 is designed for use in voice alarm systems and is compliant with emergency standards. The Horn loudspeaker has built-in protection to ensure that, in the event of a fire, damage to the loudspeaker does not result in failure of the circuit to which it is connected. In this way, system integrity is maintained; ensuring loudspeakers in other areas can still be used to inform people of the situation. The Horn loudspeaker has a ceramic terminal block, thermal fuse and heat resistant, high-temperature wiring. They have provision for inside mounting the optional line/loudspeaker supervision boards.

### Functions

The rear cover on the horn is made from self-extinguishing ABS (acc. to class UL 94 V0). The connection cable is fed out through a cable gland (PG 13.5) in rear cover. For loop through connection, the rear cover is fitted with a second hole (covered as standard supplied).

These integrated horns are also available as separate horn and driver, allowing installing any combination of horn and driver. See order information for the type numbers.

### Certifications and approvals

All Bosch loudspeakers are designed to withstand operating at their rated power for 100 hours in accordance with IEC 268-5 Power Handling Capacity (PHC) standards. Bosch has also developed the Simulated Acoustical Feedback Exposure (SAFE) test to demonstrate that they can withstand two times their rated power for short durations. This ensures extra reliability under extreme conditions, leading to higher customer satisfaction, longer operation life, and much less chance of failure or performance deterioration.

## 2 | Horn loudspeaker, 50W

Safety	acc. to EN 60065
Water and dust protection	acc. to IEC 60529, IP 65
Emergency	acc. to BS 5839-8 / EN 60849
Wind-force	acc. to NEN 6702: 2007 + A1: 2008, Bft11

Region	Certification
Europe	CE
	CE DOC (IP)

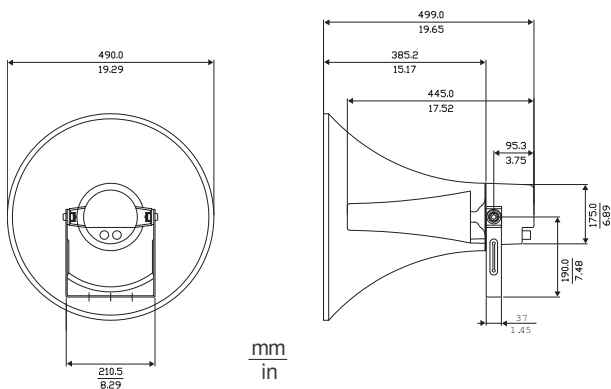
### Installation/configuration notes

#### Simple Power Setting

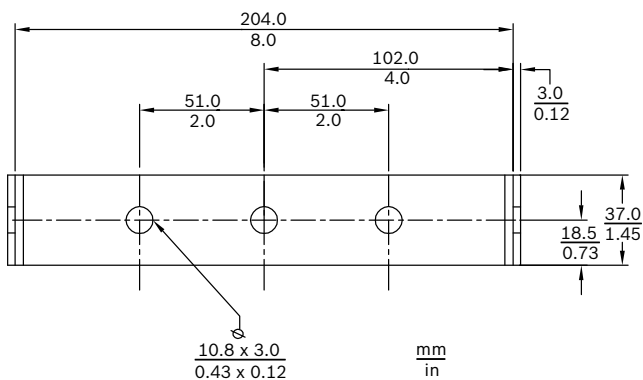
The horn has a three-way terminal block with screw connection (including earth). Three primary taps are provided on the matching transformer to allow selection of nominal full-power, half-power or quarter-power radiation (in 3 dB steps).

#### Mounting

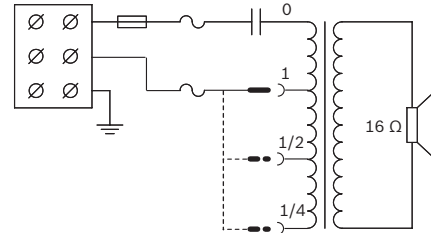
The horn loudspeakers are supplied complete with sturdy adjustable steel mounting brackets, allowing the sound beam to be accurately directed.



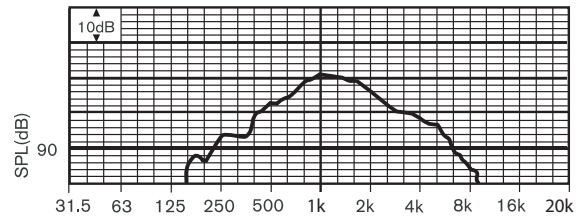
Dimensions in mm (in)



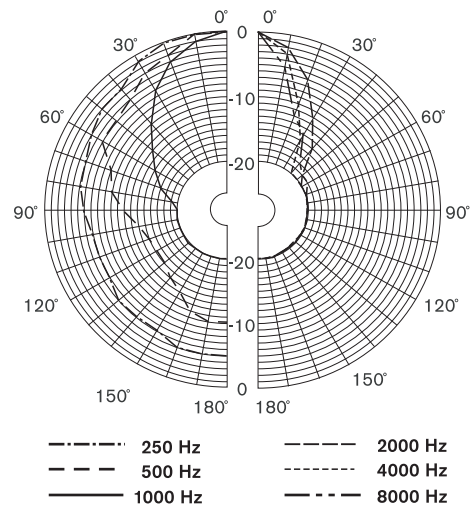
Bracket dimensions in mm (in)



Circuit diagram



Frequency response



Polar diagram (measured in pink noise)

#### Octave band sensitivity\*

	Octave SPL 1W/1m	Total octave SPL 1W/1m	Total octave SPL Pmax/1m
125 Hz	84.3	-	-
250 Hz	99.0	-	-
500 Hz	105.2	-	-
1000 Hz	111.0	-	-
2000 Hz	106.2	-	-
4000 Hz	99.2	-	-
8000 Hz	91.2	-	-
A-weighted	-	103.3	117.7
Lin-weighted	-	103.5	116.3

## Octave band opening angles

	Horizontal	Vertical	
125 Hz	-	-	
250 Hz	179	179	
500 Hz	93	93	
1000 Hz	55	55	
2000 Hz	37	37	
4000 Hz	26	26	
8000 Hz	15	15	

Acoustical performance specified per octave

\* (all measurements are done with a pink noise signal; the values are in dB SPL)

## Parts included

Quantity	Component
1	LBC 3484/00 Horn Loudspeaker
1	PG 13.5 cable gland (fitted)

## Technical specifications

## Electrical\*

Maximum power	75 W
Rated power	50 / 25 / 12.5 W
Sound pressure level at 50 W / 1 W (1 kHz, 1 m)	127 dB / 110 dB (SPL)
Effective frequency range (-10 dB)	350 Hz to 4 kHz
Opening angle at 1 kHz/4 kHz (-6 dB)	60° / 28°
Rated voltage	100 V
Rated impedance	200 ohm
Connector	Screw terminal block

\* Technical performance data acc. to IEC 60268-5

## Mechanical

Dimensions (L x Dmax)	499 x 490 mm (20 x 19.6 in)
Weight	6 kg (13.22 lb)
Color	Light gray (RAL 7035)
Cable diameter	6 mm to 12 mm (0.24 in to 0.47 in)

## Environmental

Operating temperature	-25 °C to +55 °C (-13 °F to +131 °F)
Storage and transport temperature	-40 °C to +70 °C (-40 °F to +158 °F)
Relative humidity	<95%

## Ordering information

## Horn loudspeaker, 50W

Horn loudspeaker 50 W, circular 20", aluminum/ABS material, U-bracket mounting, water and dust protected IP65, light gray RAL 7035.

Order number **LBC3484/00**

## Accessories

## DRIVER UNIT 25W (EVAC)

Horn driver 25 W, for use with LBC3478/00 (14") or LBC3479/00 (20") horns, light gray RAL 7035.

Order number **LBC3472/00**

## DRIVER UNIT 35W (EVAC)

Horn driver 35 W, for use with LBC3478/00 (14") or LBC3479/00 (20") horns, light gray RAL 7035.

Order number **LBC3473/00**

## Horn driver assembly, 50W

Horn driver 50 W, for use with LBC3478/00 (14") or LBC3479/00 (20") horns, light gray RAL 7035.

Order number **LBC3474/00**

## LBC 3478/00 Horn, 14" without Driver

Horn 14" without driver, aluminum material, for use with horn drivers LBC3472/00 (25 W), LBC3473/00 (35 W), and LBC3474/00 (50 W), light gray RAL 7035.

Order number **LBC 3478/00**

## Horn, 20", assembly part

Horn 20" without driver, aluminum material, for use with horn drivers LBC3472/00 (25 W), LBC3473/00 (35 W), and LBC3474/00 (50 W), light gray RAL 7035.

Order number **LBC3479/00**

**Represented by:**

**Europe, Middle East, Africa:**  
Bosch Security Systems B.V.  
P.O. Box 80002  
5600 JB Eindhoven, The Netherlands  
Phone: + 31 40 2577 284  
emea.securitysystems@bosch.com  
emea.boschsecurity.com

**Germany:**  
Bosch Sicherheitssysteme GmbH  
Robert-Bosch-Ring 5  
85630 Grasbrunn  
Germany  
www.boschsecurity.com

**North America:**  
Bosch Security Systems, Inc.  
130 Perinton Parkway  
Fairport, New York, 14450, USA  
Phone: +1 800 289 0096  
Fax: +1 585 223 9180  
onlinehelp@us.bosch.com  
www.boschsecurity.us

**Asia-Pacific:**  
Robert Bosch (SEA) Pte Ltd, Security Systems  
11 Bishan Street 21  
Singapore 573943  
Phone: +65 6571 2808  
Fax: +65 6571 2699  
apr.securitysystems@bosch.com  
www.boschsecurity.asia